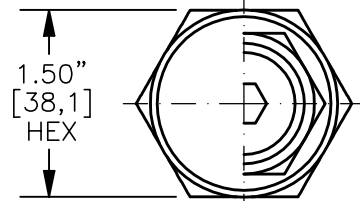
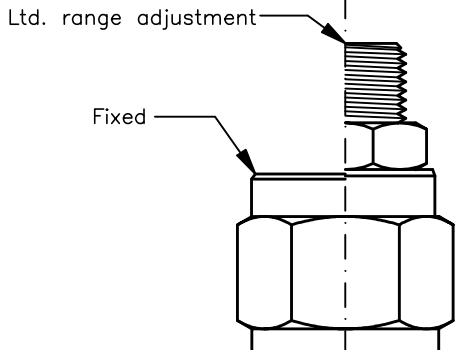
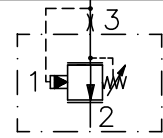
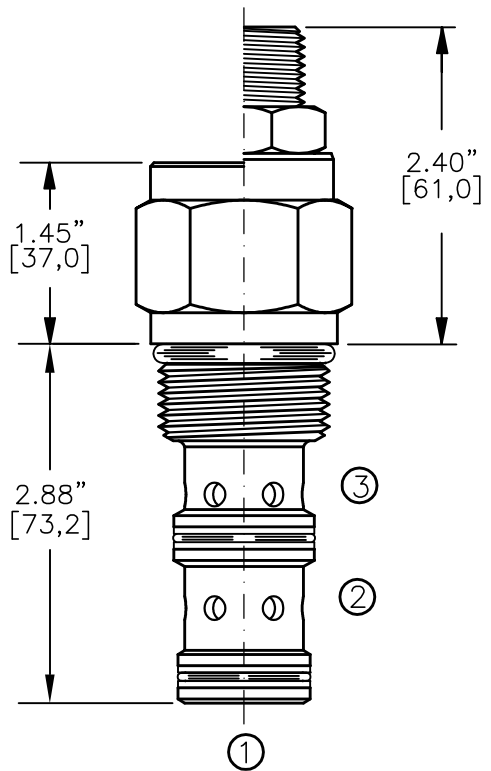
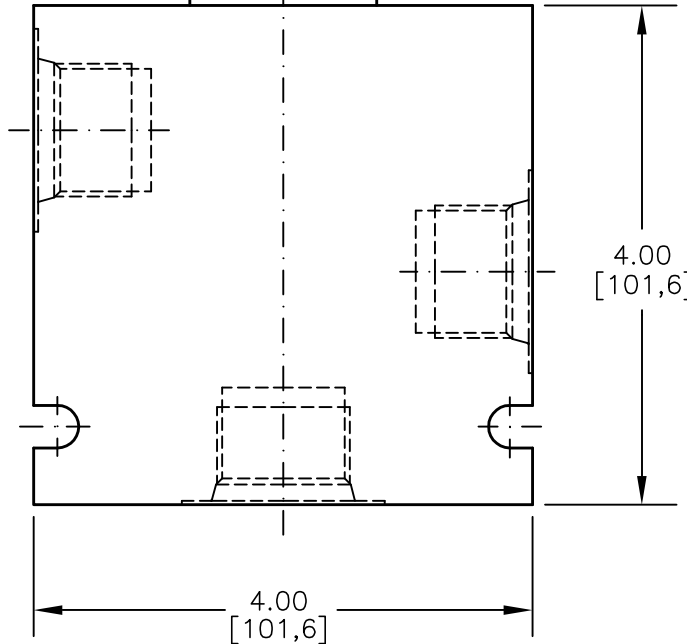




# PRESSURE COMPENSATOR SPOOL TYPE, INLINE-TYPE COMPENSATOR

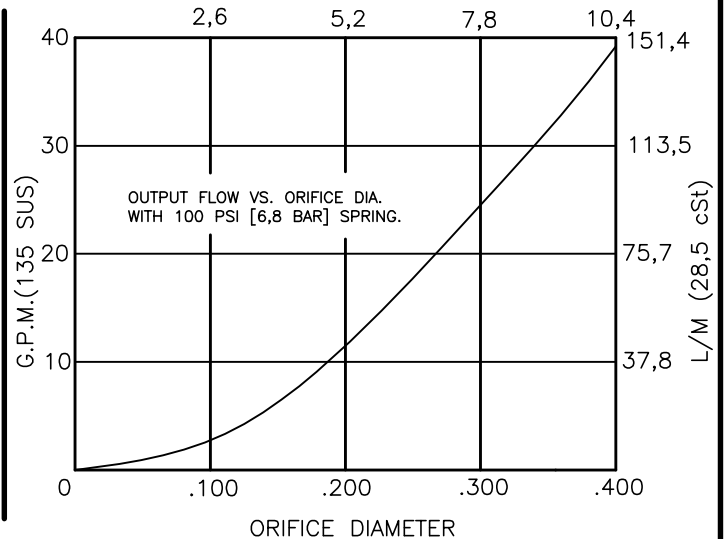


TORQUE to 95/100 Ft-Lb  
[127/135 N-m]



FOR ALUMINUM OR STEEL VALVE HOUSING CONFIGURATIONS SEE PAGE 0-034.1

- PCEI-16-X-X-X-XXX**
- BASIC
  - SIZE  
16 = 1.312"-12 UNF
  - SEALS  
N = BUNA "N"  
V = VITON
  - ADJUSTMENT  
F = FIXED (FACTORY SET)  
S = ADJUSTING SCREW  
C = CAPPED  
T = TAMPERPROOF
  - PRESSURE BIAS SPRING  
100 = 100 PSI (FIXED)  
180 = 60-180 PSI (ADJ)
  - PORTS  
0 = CARTRIDGE ONLY  
06BX = G 3/4" BSPP  
08BX = G 1" BSPP  
12TX = SAE - #12  
16TX = SAE - #16
  - "A" - ALUM. HOUSING  
"S" - STEEL HOUSING



FOR ADJUSTMENT CONTROL  
OPTIONS SEE PAGE 0-050.0



## PRESSURE COMPENSATOR SPOOL TYPE, INLINE-TYPE, PRESSURE COMPENSATING ELEMENT.

### DESCRIPTION

This unit is a DIRECT ACTING, SCREW IN CARTRIDGE STYLE, SPOOL TYPE, PRESSURE-COMPENSATING INLINE FLOW ELEMENT, intended for use with a remote fixed or variable orifice to yield a two-port (inline-type), pressure-compensated, flow regulating hydraulic valve.

### OPERATIONS

This valve maintains a constant flow rate at port 2 regardless of load pressure changes in a circuit downstream of port 2.

This cartridge compensator flow element maintains a constant differential pressure circuit point "P" to port 2 thereby regulating the hydraulic flow rate between the two points in the circuit. This is an inline type regulator, delivering only the exact amount of pump flow to port 2. All ports can be fully pressurized.

### FEATURES AND BENEFITS

Leakproof screw adjustment.

This valve has a fixed or an adjustable bias spring.

Adjustment screw can not be backed out of the valve.

Overset protection – spring can not go solid.

Hardened precision fitted spool & cage provides reliable, long life.

A unibody cage construction provides very low hysteresis and reliable operation.

All external carbon steel parts are plated for longer life against the elements.

Valve is available with fixed, screw, tamperproof, capped and handknob adjustments.

All cartridge valves are 100% functionally tested.

### SPECIFICATIONS

OPERATING PRESSURE: 5,000 PSI [350 Bar]

PROOF PRESSURE: 10,000 PSI [700 Bar]

FLOW: 36.0 GPM [136 L/M] nominal. See performance chart.

INTERNAL LEAKAGE: 5 cu.in./min. [85 cc/m].

VALVE HOUSINGS: 2500 PSI [175 Bar] = Aluminum – Anodized.

5000 PSI [350 Bar] = Steel – Unplated.

OPERATING TEMPERATURE: -40° to +250° F. [-40° to +120° C.]

OPERATING MEDIA: All general purpose hydraulic fluids such as

MIL-H-5606, SAE-#10, SAE-#20, etc.

INSTALLATION: Use undercut in cavity (port 3 only) to obtain max rated flow.

FILTRATION: 25 microns or better.

SEAL KIT NUMBER: SKN-1632 for buna "N".

SKV-1632 for viton.

WEIGHT: 1.5 lb [.68 kg] cartridge only.

VALVE CAVITY: #C1630, See Page 0-032.0.